

Cim 74AO



This article was made in compliance with the quality management requirements of standard ISO 9001:2008. All articles are tested according to the standard EN 12266-1:2003.

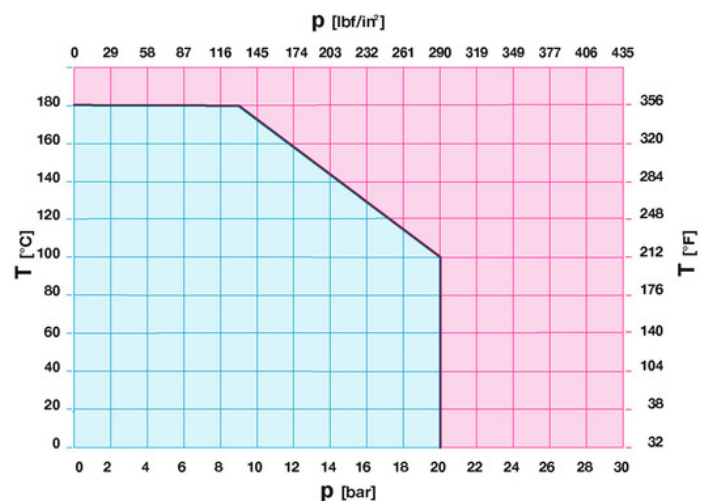
It can be used for filtration in heating, water, sanitary, pneumatic, oil, gasoline and saturated steam systems, and generally with any non corrosive liquid. It is guaranteed for 5 years.

It is made of a brass alloy that complies with standard EN 1982-CC754S.

Nominal Pressure: PN20

Operating temperature: -10 ÷ 180°C

PRESSURE TEMPERATURE RATINGS



Notes:

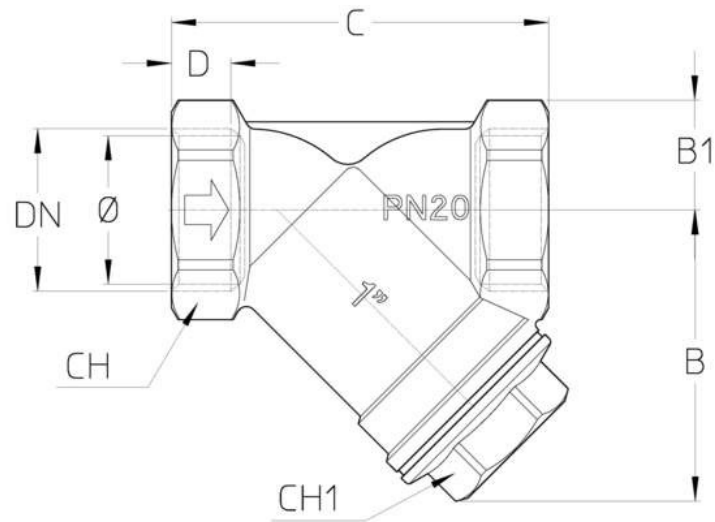
1 bar = 14,5 psi

1 bar = 14,5 lbf/in²

°C = 5/9 x (°F-32)

°F = 32 + (9/5 x °C)

TECHNICAL DRAWING



DN	1/2"	3/4"	1"	1"1/4	1"1/2	2"
Grms.	180	290	420	715	895	1630
B	40	50	60	71	82	100
B1	15	18,5	23	29	31	39,5
C	59	68	76	92	100	125
D	10	11,5	11,5	13	13	17
CH	28	33	40	51	56	71
CH1	18	22	29	34	39	55